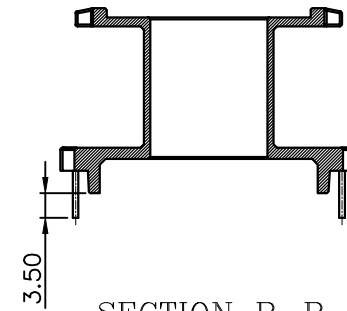
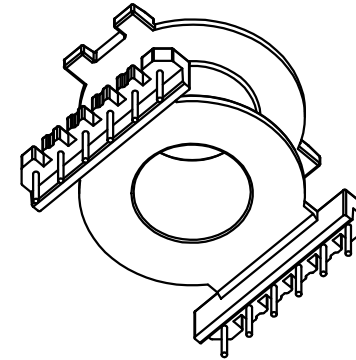
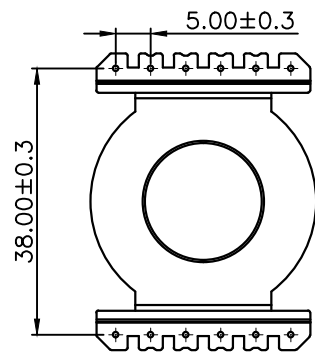


SECTION A-A



SECTION B-B



| | | | | | | | |
|--|---------|----------|---|-----------------------------|--|----------------------------|----------|
| REVISION NOTE | | | | DATE | DRAWN | CHECKED | APPROVED |
| DRAWN | CHECKED | APPROVED | MATERIAL : PHENOL | UL REC. : UL94V-0 | THIRD ANGLE PROJ. | SCALE : 1/1 | |
| MS, Kim | KM, Seo | C, Park | % : PIN LENGTH (According to customer's request) | DATE : 2016.03.15 | TOLERANCE : ±0.2 (Unless otherwise specified) | UNIT : m/m | |
| 주희회사 대흥보빈 DAE HEUNG BOBBIN CO., LTD | | | | TITLE DS 40*28 "V" (12P) | | DWG NO DH-07081-6039-04 | |